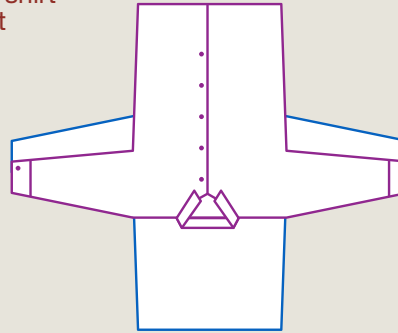


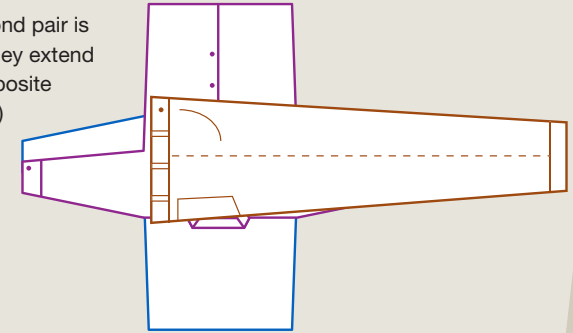
- 1** **Shirt/jacket**
(remember that jackets, unlike shirts, face downward)



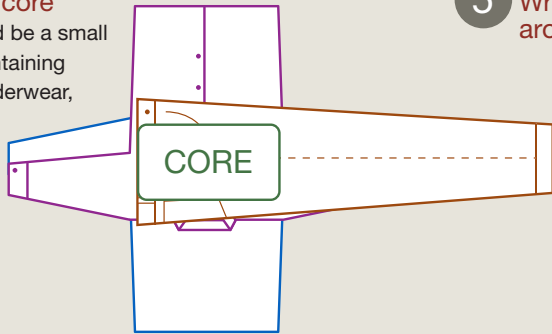
- 2** **Another shirt or jacket**



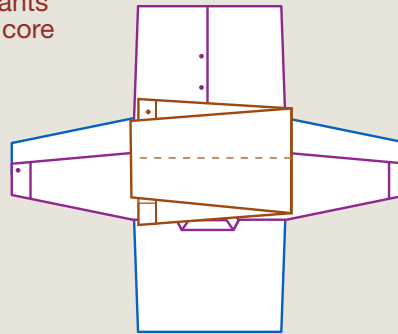
- 3** **Pants**
(if a second pair is added, they extend in the opposite direction)



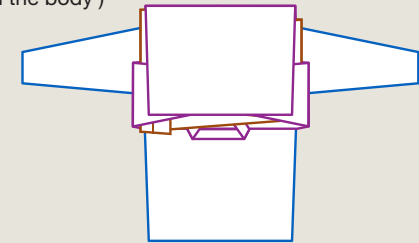
- 4** **Add the core**
(this could be a small pouch containing socks, underwear, etc.)



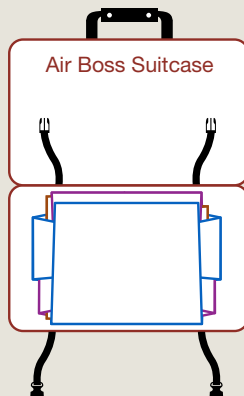
- 5** **Wrap pants around core**



- 6** **Wrap shirt around bundle**
(wrap the sleeves first, then the body)



- 7** **Wrap final shirt/jacket around bundle**
(then place inside suitcase with straps free of bundle)



- 8** **Connect internal tie-downs**

